

SoundZorber®

Rubber Mounts

Style MNR Rubber Mounts

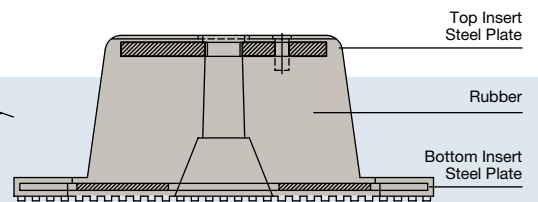
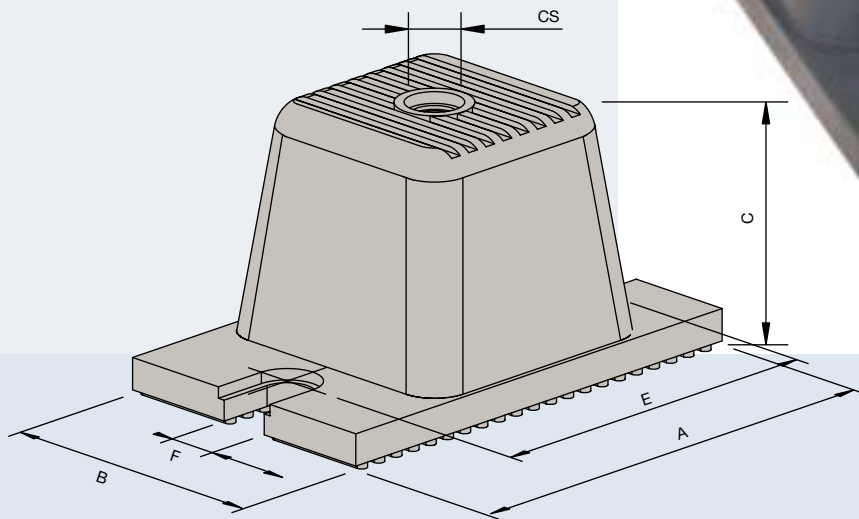
Style MNR

Features:

- Most Economical Isolator
- Non-Skid Bolt Down Base
- Isolates High Frequency Vibration
- Rugged One Piece Molded Construction
- 0.1" or 0.2" Deflection Standard
- Quick and Easy Installation
- Leveling Bolt Standard

Applications:

- Floor Mounted HVAC or Industrial Equipment Having High Disturbing Frequencies



PART NUMBER	MAX. AXIAL STATIC LOAD RATING (lbs)	MAX. STATIC DEFLECTION (inch)	DIMENSIONS					
			A (inch)	B (inch)	C (inch)	F (inch)	E (inch)	CENTER THREAD CS
MNR-A-150L	150	0.10	3.74	2.09	1.10	0.39	3.0	M10
MNR-A-150H	150	0.20	3.74	2.09	1.81	0.39	3.0	M10
MNR-A-350L	350	0.10	3.74	2.09	1.10	0.39	3.0	M10
MNR-A-350H	350	0.20	3.74	2.09	1.81	0.39	3.0	M10
MNR-B-500L	500	0.10	5.00	3.03	1.57	0.55	4.0	M12
MNR-B-500H	500	0.20	5.00	3.03	2.76	0.55	4.0	M12
MNR-B-1000L	1000	0.10	5.00	3.03	1.57	0.55	4.0	M12
MNR-B-1000H	1000	0.20	5.00	3.03	2.76	0.55	4.0	M12
MNR-C-2000L	2000	0.10	7.09	4.65	1.57	0.55	5.88	M16
MNR-C-2000H	2000	0.20	7.09	4.65	2.76	0.55	5.88	M16
MNR-C-4000L	4000	0.10	7.09	4.65	1.57	0.55	5.88	M16
MNR-C-4000H	4000	0.20	7.09	4.65	2.76	0.55	5.88	M16

