

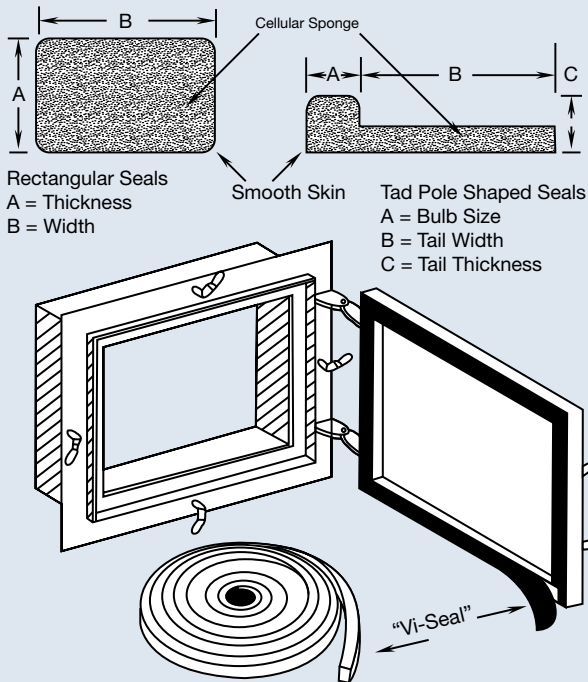
# Other Innovative Products

## Style VS

Vi-Seal Viton® Sponge Gasket

### Features:

- Seals Power and Industrial Access Doors even after Multiple Opening and Closing Cycles
- Fluoroelastomer Cellular Sponge Construction Offers Exceptional Chemical Resistance with 400°F Service
- Conforms to Slight Surface Irregularities
- Also Available with Heat Resistant Wire Mesh Cores



## Style TSS

Teflon® Spray Shield

### Features:

- Safely Deflects Harmful Spray-Out if Leakage Occurs at Flanges, Valves, or Expansion Joints
- Solid Fluoroplastic PTFE Construction Offers Superior Chemical Resistance and 400°F Service
- Simple to Install, Lightweight, and High Strength



## Style EPS

Expansion Penetration Seal

### Features:

- Seals Pipes Through Walls, Floors, and Casings with Excellent All Directional Movement Capability and Low Deflection Forces
- Absorbs Noise, Vibration, Pipe Misalignment, Thermal Movements, Ground Settlement, and Seismic Displacements
- Sealing Pressure 40 PSI (80 Feet of Head) and 250°F Service
- Versatile Flanged or Slip-On Designs
- Custom Designs Available for Larger Movements, Higher Pressure and/or Higher Service Temperature
- Wide Variety of Sealing Elements and Hardware Available

## Style LPS

Link Penetration Seal

### Features:

- Seals Pipes Through Walls, Floors, and Casings
- Sealing Pressure 20 PSI (40 Feet of Head) and 250°F Service
- Seals Around Any Round or Radius Penetration
- Wide Variety of Sealing Elements, Pressure Plates and Hardware Available
- Absorbs Noise, Vibration and Minor Misalignment
- Simple to Install, Most Cost-Effective Solution

