

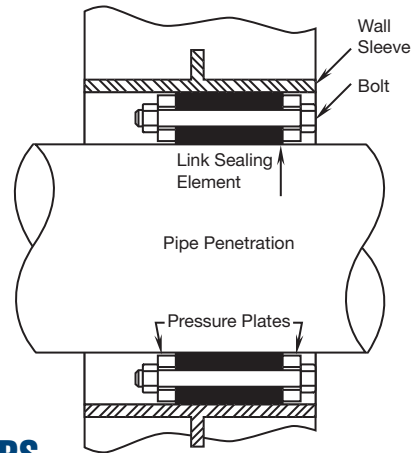
Maxi-Joint®

Link Penetration Seals

StyleLPS

Features:

- Seals pipes through walls, floors, and casings
Sealing pressure 20 PSI (40 feet of head) and 250°F service
- Seals around any round or radius penetration
- Wide variety of sealing elements, pressure plates and hardware available
- Absorbs noise, vibration and minor misalignment
- Simple to install, most cost-effective solution



StyleLPS

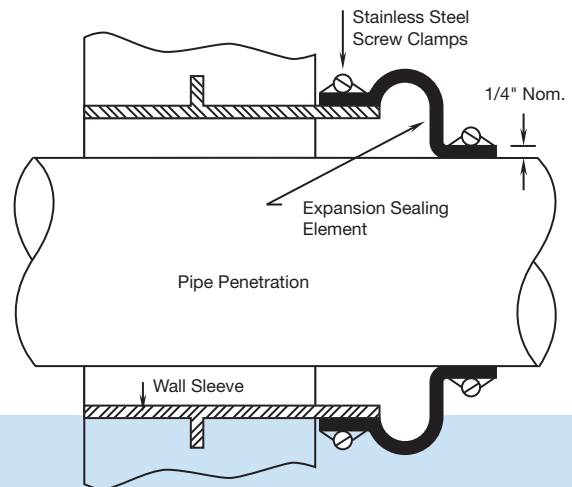
Link Penetration Seal

Expansion Penetration Seals

StyleEPS

Features:

- Seals pipes through walls, floors, and casings with excellent all directional movement capability and low deflection forces
- Absorbs noise, vibration, pipe misalignment, thermal movements, ground settlement, and seismic displacements
- Sealing pressure 20 PSI (40 feet of head) and 250°F service
- Versatile flanged or slip-on designs
- Custom designs available for larger movements, higher pressure and/or higher service temperature
- Wide variety of sealing elements and hardware available



StyleEPS

Expansion Penetration Seal



Optional Split Wrap Design

Also Typical for Other Styles