

Sleeve-Joints

Sleeve Type Expansion Joints

Style 1080, 1086, 1087 & 1091

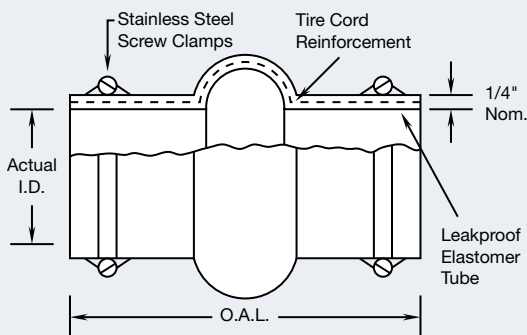
Features:

- Versatile Hand-Built Construction allows General Rubber to work with the System Requirements to Develop an Optimal and Cost-Effective Solution
- 250°F Continuous Service Standard, 400°F Available
- The No Arch Style 1080 Typically Incorporates Wire Reinforcement for Higher Pressure and Vacuum Ratings, while the No Arch Style 1086 Has No Wire and is Designed for Ducting Applications operating within ± 5 PSIG
- The Single or Multiple Arch Style 1087 is also Designed for Ducting Applications operating within ± 5 PSIG as well as Requiring Significant All Directional Movement and/or Low Deflection Forces
- The Unique Beaded Ends on the Fully Molded Style 1091 Prevent the Sleeve from being Pulled out from under the Clamps, Making This Design Ideal for Vibrating Bin Activators as well as other Industrial OEM Equipment
- Economical Slip-On Design Eliminates the need for Mating Flanges and Hardware



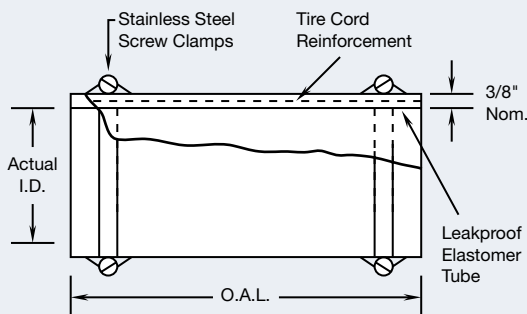
Style 1087

Single or Multiple Arch



Style 1080 & 1086

No Arch



Style 1091

Beaded Endless Belt
Available in 4" and 5" Widths
Bead is 1/4" Wide



19

