

Sleeve-Joints

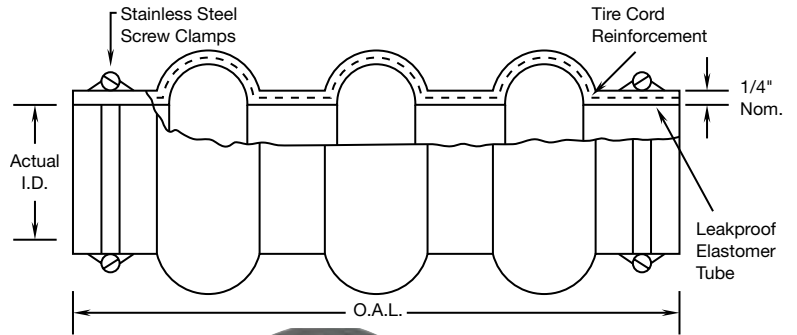
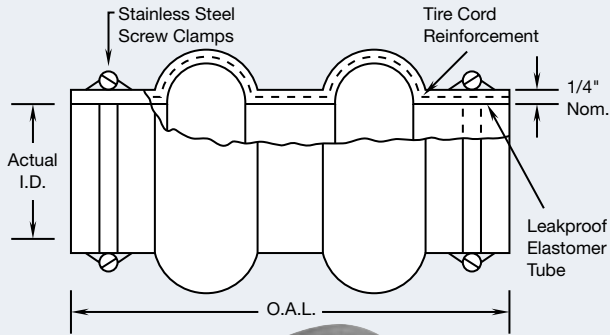
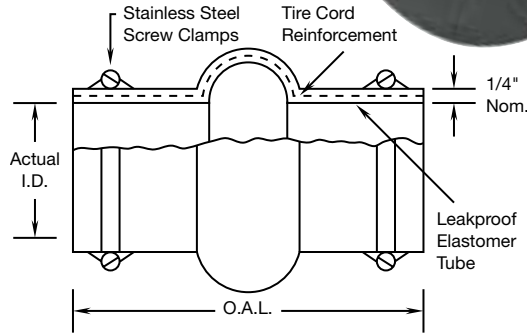
Sleeve Type Expansion Joints

Style 1081, 1082 & 1083

Features:

- Economical Slip-On Design Eliminates the need for Mating Flanges and Hardware
- Extremely Lightweight and Flexible
- Large All Directional Movement Capability with Low Stiffness and Deflection Forces
- EPDM and Multiple Plies of Tire Cord Reinforcements Standard, with a Wide Variety of other Tube and Cover Elastomers Available
- 250°F Continuous Service Standard, 400°F Available
- More Than (3) Arches as well as Reducers and Offset Arrangements Available
- No Gaskets Required

Style 1081 Single (1) Arch



Style 1082 Double (2) Arch



Style 1083 Triple (3) Arch

Pipe SIZE	ACTUAL I.D. (inch)	MAX PRESSURE (PSIG)	VACUUM (inch Hg)	MAX Temp (°F)	STYLE 1081				STYLE 1082				STYLE 1083			
					Over-All Length	Comp (inch)	Ext. (inch)	Lateral (inch)	Over-All Length	Comp (inch)	Ext. (inch)	Lateral (inch)	Over-All Length	Comp (inch)	Ext. (inch)	Lateral (inch)
1-1/2	1-15/16	90	15	250	8	1-3/4	3/4	3/4	12	3-1/2	1-1/2	1-1/2	14	5-1/4	2-1/4	2-1/4
2	2-3/8	90	15	250	8	1-3/4	3/4	3/4	12	3-1/2	1-1/2	1-1/2	14	5-1/4	2-1/4	2-1/4
2-1/2	2-7/8	90	15	250	8	1-3/4	3/4	3/4	12	3-1/2	1-1/2	1-1/2	14	5-1/4	2-1/4	2-1/4
3	3-1/2	90	15	250	8	1-3/4	3/4	3/4	12	3-1/2	1-1/2	1-1/2	14	5-1/4	2-1/4	2-1/4
4	4-1/2	90	15	250	8	1-3/4	3/4	3/4	12	3-1/2	1-1/2	1-1/2	14	5-1/4	2-1/4	2-1/4
5	5-9/16	50	15	250	8	1-3/4	3/4	3/4	12	3-1/2	1-1/2	1-1/2	14	5-1/4	2-1/4	2-1/4
6	6-5/8	50	15	250	8	1-3/4	3/4	3/4	12	3-1/2	1-1/2	1-1/2	14	5-1/4	2-1/4	2-1/4
8	8-5/8	35	15	250	8	1-3/4	3/4	3/4	12	3-1/2	1-1/2	1-1/2	14	5-1/4	2-1/4	2-1/4
10	10-3/4	35	15	250	8	1-3/4	3/4	3/4	12	3-1/2	1-1/2	1-1/2	14	5-1/4	2-1/4	2-1/4
12	12-3/4	35	15	250	8	1-3/4	3/4	3/4	12	3-1/2	1-1/2	1-1/2	14	5-1/4	2-1/4	2-1/4

Note: 1.) Expansion joints are sized to slip over schedule 40 pipe. Other I.D. dimensions are available. 2.) Movements are non-concurrent movements. Contact General Rubber for concurrent movements, and for sizes not shown up to 96" I.D.

