

Maxi-Joint®

Duct Type Expansion Joints with Slip-on Ends

Style 1080LW, 1081LW, 1091

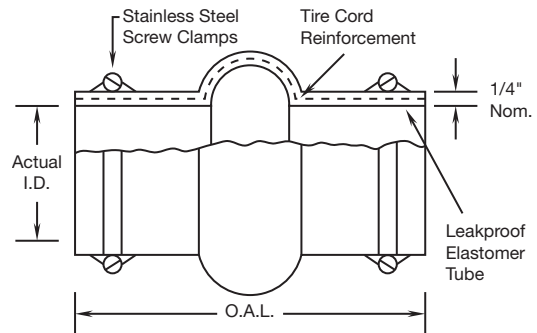
Features:

- Versatile hand-built construction allows General Rubber to work with the system requirements to develop an optimal and cost-effective solution
- 250°F continuous service standard, 400°F available
- The no arch Style 1080 typically incorporates wire reinforcement for higher pressure and vacuum ratings, while the no arch Style 1080LW has no wire and is designed for ducting applications operating within ± 5 PSIG
- The single and multiple arch styles 1081LW, 1082LW, 1083LW and 1084LW are also designed for ducting applications operating within ± 5 PSIG as well as requiring significant all directional movement and/or low deflection forces
- The unique beaded ends on the fully molded Style 1091 prevent the sleeve from being pulled out from under the clamps, making this design ideal for vibrating bin activators as well as other industrial OEM equipment
- Economical slip-on design eliminates the need for mating flanges and hardware
- Wide variety of tube and cover elastomers available, including Pure Gum Rubber, EPDM, Neoprene, Butyl, Nitrile, Hypalon®, Viton®, Food Grade, and more



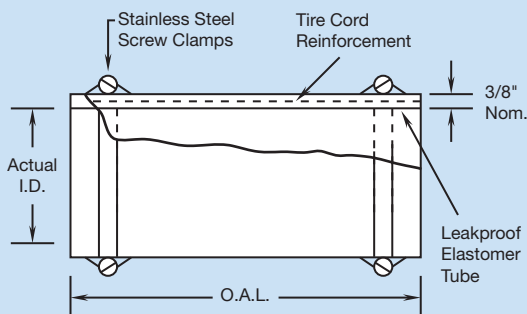
Style 1081LW

Slip-on, Expansion Joints



Style 1080LW

No Arch, Expansion Joints



Optional Split Wrap Design

Also Typical for Other Styles



Style 1091

Beaded Endless Belt
Available in 4" and 5" Widths
Bead is 1/4" Wide

