



**general
rubber**

800-233-6294

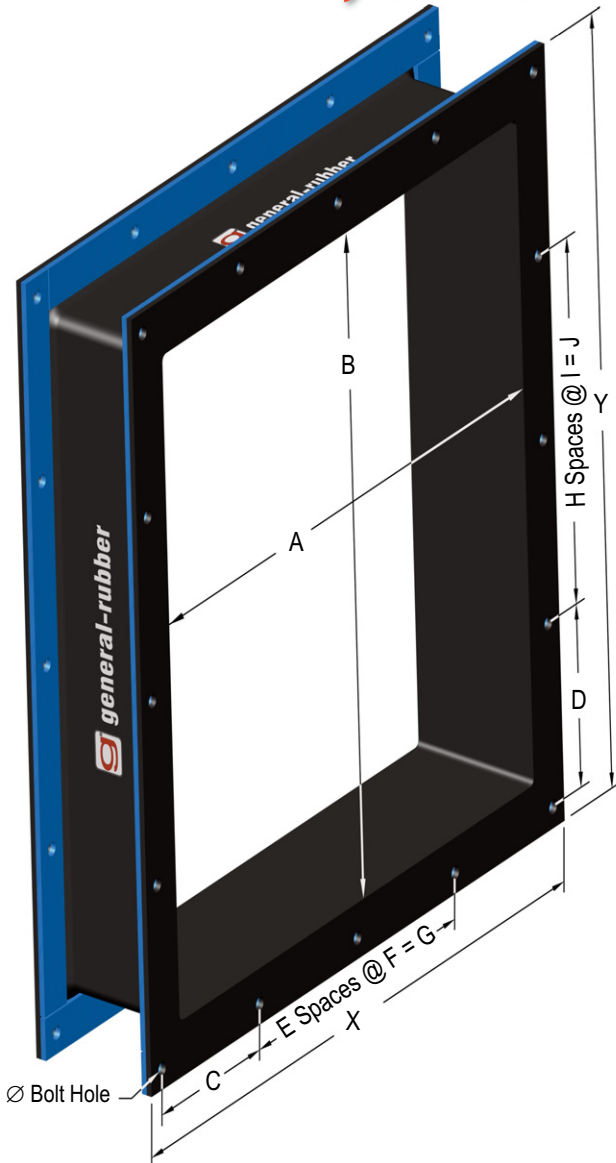
Customer: _____ Date: _____

Job/Project: _____

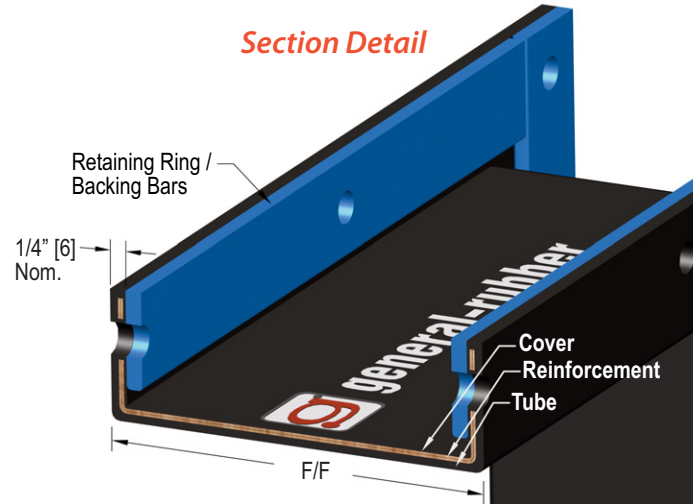
Ref/Tag: _____

Style 9100 Rectangular Rubber Flanged Versatile

9100 Rectangular-0000-3.19



Section Detail



	Pure Gum	Neoprene	Butyl	Nitrile (Buna-N)	EPDM	Viton® (FKM)
Tube	<input type="checkbox"/>	<input type="checkbox"/>	<input type="checkbox"/>	<input type="checkbox"/>	<input type="checkbox"/>	<input type="checkbox"/>
Cover	<input type="checkbox"/>	<input type="checkbox"/>	<input type="checkbox"/>	<input type="checkbox"/>	<input type="checkbox"/>	<input type="checkbox"/>
Tire Cord:	° F [° C]	° F [° C]	° F [° C]	° F [° C]	° F [° C]	° F [° C]
<input type="checkbox"/> Polyester	180 [82]	225 [107]	250 [121]	210 [99]	250 [121]	250 [121]
<input type="checkbox"/> Kevlar®	180 [82]	225 [107]	300 [149]	210 [99]	350 [177]	400 [204]

Maximum Temperature rating based on lowest temperature material selected. EPDM or Butyl w/Polyester rated 300°F (149°C) for Air Service up to 3 psig (0.2 barg)

Bill of Materials

ITEM	MATERIAL	FINISH
Retaining Ring / Backing Bars	<input type="checkbox"/> Carbon Steel	Shop Prime
	<input type="checkbox"/> Stainless Steel	Plain
Textile Reinforcement	Tire Cord	RFL Coating

Operational Parameters (customer specified)

A	X	C	E	F	G	Hole Dia.	Pressure	F/F
B	Y	D	H	I	J	No. Holes	Vacuum	Qty.

SIZE Installed Lengths F/F in [mm]	MOVEMENT (non-concurrent)			PRESSURE	
	Comp. in [mm]	Ext. in [mm]	Lateral in [mm]	Pressure psig [barg]	Vacuum psig [barg]
6 [152]	3/4 [19]	1/4 [6]	1/2 [13]	3 [0.2]	-3 [-0.2]
9 [229]	1 1/4 [32]	1/4 [6]	3/4 [19]	3 [0.2]	-3 [-0.2]
12 [305]	2 [51]	1/2 [13]	1 [25]	3 [0.2]	-3 [-0.2]
16 [406]	3 [76]	1/2 [13]	1 1/2 [38]	3 [0.2]	-3 [-0.2]

Available in round or rectangular, multiple arches, hot dipped galvanized rings / bars, custom offsets and face-to-face dimensions as well as reducing arrangements. Extension movement capabilities can be increased with additional pre-compression during installation. Pressure up to 25 psig also available.

Contact General Rubber Corporation for full product specifications, Warnings and installation instructions.

© 2019 General Rubber Corporation, All Rights Reserved

general-rubber.com